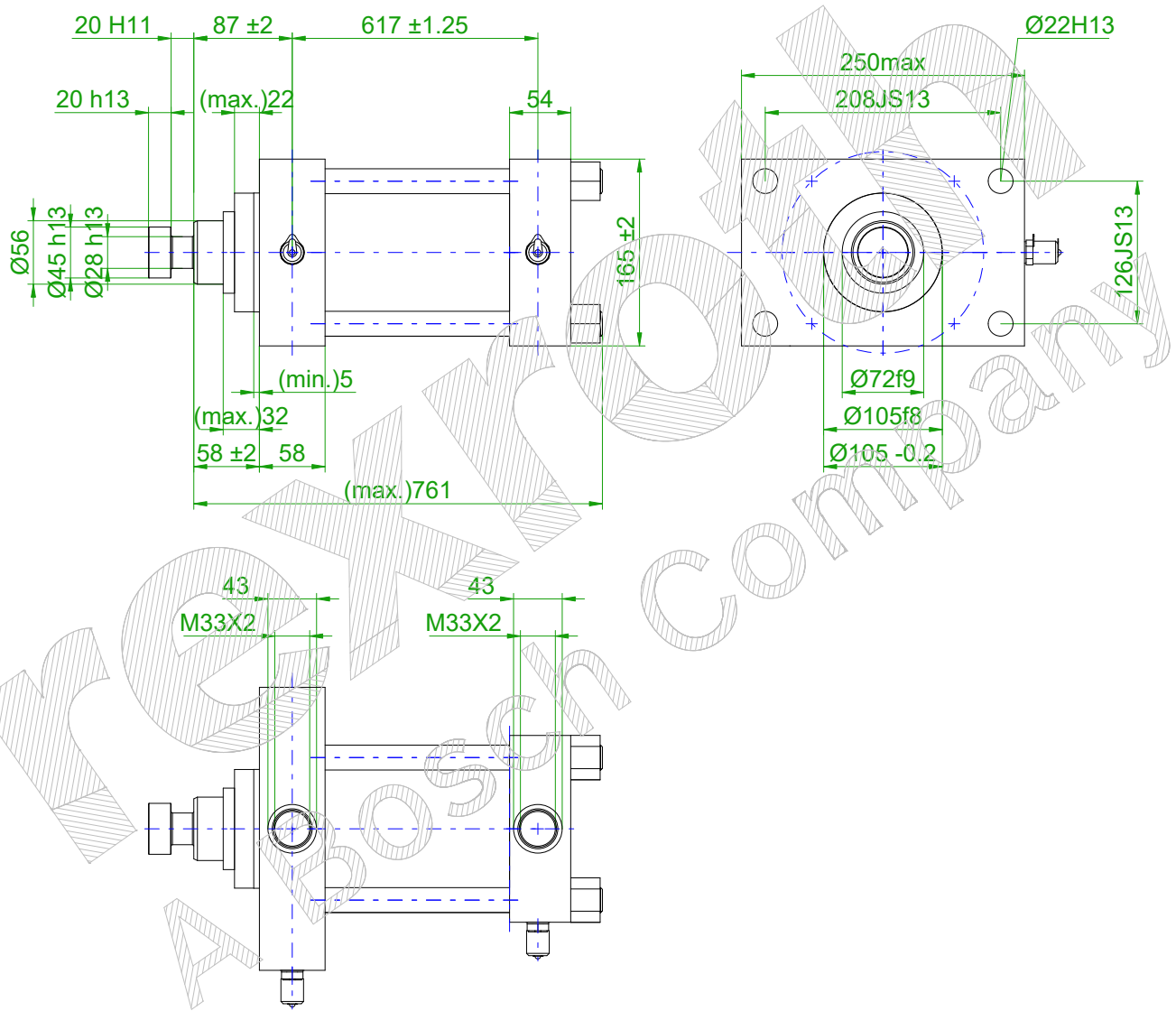


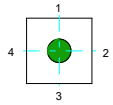
© Alle Rechte bei Bosch Rexroth AG, auch für den Fall von Schutzrechtsanmeldungen. Jede Verfügungsbefugnis, wie Kopier- und Weitergaberecht, bei uns.

© This Document, as well as the data, specifications and other informations set forth in it, are the exclusive property of Bosch Rexroth AG. Without their consent it may not be reproduced or given to third parties.



Spare parts	
Seal kit	R961011580

Connection location view to cylinder head (Piston rod)		
	Head	Cap
Port connections	1	1
Air bleed/Screw coupling	2	2



Location of connection ports shown in position 1-1 always
 For this drawing non-warranty exists, because it is build automatically.
 Dimensions not shown, see technical documentation
 Dimensions in mm

AA	no changes	20210814	ICS						
Ind.	Change/Änd.	Date / Datum	Drawn/Gez.	Checked/Gepr.	Release./Freig.	BWN	Resp. dept./Verantw./Abt.	Add info / Zus. Info	
LangSpr.	Syst.	Weight/Gew.	CDT3ME5/125/56/500Z3X/R11HTUMAWWWW		Sheet/Bl.		1 / 1		
EN		Scale/M.stab	OFFER DRAWING		Doc. type		DP/TD	Ind.	Format
		--	OFFER DRAWING		MTT		001	AA	A3
ANGEBOTS-ZEICHN.					Repl. for	Repl. by			